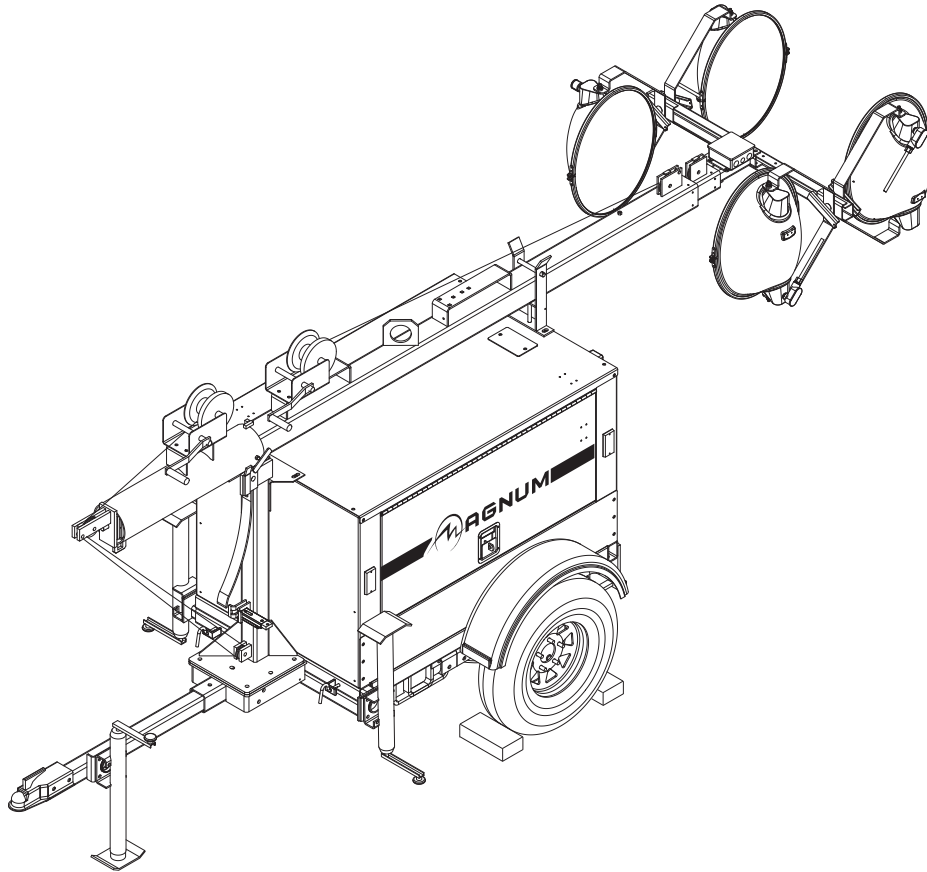




LIGHT TOWER  
MLT3060 50Hz



# SUPPLEMENTAL MANUAL

Part Number: 13271, Revision:D, 04.07.09

## INTRODUCTION

This manual is intended to supplement the Magnum Operating/Parts manual that was supplied with this unit. The sections in this supplemental manual replace their corresponding sections in the Magnum Operating/Parts manual. For your own safety and protection from physical injury, carefully read, understand, and observe the safety instructions described in the Magnum Operating/Parts manual. *The information contained in this manual was based on machines in production at the time of publication. Magnum Products LLC reserves the right to change any portion of this information without notice.*

**DO NOT MODIFY or use this equipment for any application other than which it was designed for.**

Magnum Products LLC recommends that a trained and licensed professional perform all electrical wiring and testing functions. Any wiring should be in compliance with the United States National Electric Code (NEC), state and local codes and Occupational Safety and Health Association (OSHA) guidelines.

Keep a copy of this manual with the unit at all times. Additional copies are available from Magnum Products LLC, or can be found at [www.m-p-llc.com](http://www.m-p-llc.com). An engine operator's manual was also supplied with the unit at the time of shipment from the factory. The manual provides detailed operation and maintenance procedures for the engine. Additional copies of the engine operators manual are available from the engine manufacturer.

**MAGNUM PRODUCTS LLC**  
**215 Power Drive • Berlin, WI 54923**  
**U.S.A.**  
**Phone: 920-361-4442**  
**FAX: 920-361-4416**  
**Toll Free: 1-800-926-9768**  
**[www.m-p-llc.com](http://www.m-p-llc.com)**

**For technical or parts QUESTIONS, please contact Magnum Products' Customer Support or Technical Support team at 920-361-4442. Please have your serial number available.**

**To ORDER SERVICE PARTS, please contact the dealer from which you purchased the unit, or call Magnum Products to locate a dealer in your area.**

**Supplemental information may be available for your unit; when ordering parts ALWAYS check for a supplement that applies to your unit. A supplement may have been provided with your unit and can be found on the Magnum Products LLC website.**

Engine Make: \_\_\_\_\_  
Engine Serial Number: \_\_\_\_\_  
Engine Model Number: \_\_\_\_\_  
Generator Make: \_\_\_\_\_  
Generator Model Number: \_\_\_\_\_  
Generator Serial Number: \_\_\_\_\_  
Unit Model Number: \_\_\_\_\_  
Unit Serial Number: \_\_\_\_\_

### **▲ WARNING**

**CALIFORNIA PROPOSITION 65 WARNING: Diesel engine exhaust and some of its constituents are known to the state of California to cause cancer, birth defects and other reproductive harm.**

## TABLE OF CONTENTS

	Page
INTRODUCTION .....	2
TABLE OF CONTENTS .....	3
SPECIFICATIONS .....	4 - 5
MAIN CONTROL PANEL COMPONENTS .....	6
AUXILIARY OUTLETS .....	7
ENGINE ASSEMBLY .....	7
CONTROL PANEL ASSEMBLY .....	8
GENERATOR ASSEMBLY - 6 KW .....	9
METAL HALIDE BALLAST BOX ASSEMBLY .....	10
AC CIRCUIT WIRING DIAGRAM - RECEPTACLE 110V/16A .....	11
AC CIRCUIT WIRING DIAGRAM - RECEPTACLE 220V/10A .....	12

## SPECIFICATIONS

Read this manual carefully before attempting to use this light tower. The potential for property damage, personal injury or death exists if this equipment is misused or installed incorrectly. Read all of the manuals included with this unit. Each manual details specific information regarding items such as set up, use and service requirements. **SPECIFICATIONS ARE SUBJECT TO CHANGE WITHOUT NOTICE.**

### MAGNUM MODEL

### MLT 3060

#### Engine

Make/Brand.....	MITSUBISHI .....	KUBOTA
Model .....	L3E-W461ML.....	D905-E2BG
Type .....	Diesel, liquid cooled, 4-stroke .....	Diesel, liquid cooled, 4-stroke
Horsepower - prime <b>hp (kW)</b> .....	8.5 (6.3).....	9.7 (7.2)
Horsepower - standby <b>hp (kW)</b> .....	9.9 (7.4).....	11.0 (8.2)
Operating Speed <b>rpm</b> .....	1500 .....	1500
Displacement <b>in<sup>3</sup> (L)</b> .....	57.97 (0.95).....	61.00 (1.00)
Cylinders - qty .....	3 .....	3
Fuel Consumption - 100% prime <b>gph (Lph)</b> .....	0.52 (1.97).....	0.50 (1.89)
Battery Type - Group Number .....	24 .....	24
Battery Voltage (Quantity per Unit) .....	12V (1) .....	12V (1)
Battery Rating (Standard) .....	440 CCA .....	440 CCA

#### Generator

Make/Brand.....	Marathon Electric.....	Marathon Electric
Model .....	332CSA5213.....	332CSA5213
Type, Insulation .....	Brushless, F.....	Brushless, F

#### Generator Set (Engine/Generator)

Output <b>kW (kVA)</b> .....	6.5 (6.5).....	6.5 (6.5)
Output Voltage <b>V</b> .....	110/220, single phase .....	110/220, single phase
Output Amperes <b>120V (240V) A</b> .....	54 (27).....	54 (27)
Frequency <b>Hz</b> .....	50 .....	50
Power Factor.....	1 (1Ø).....	1 (1Ø)

#### AC Distribution

Circuit Breaker Size .....	30 .....	30
Voltage Regulation .....	Capacitor +/-6% .....	Capacitor +/-6%
Voltages Available 1Ø.....	110, 220 VAC .....	110, 220 VAC

#### Weights

Dry Weight <b>lbs (kg)</b> .....	1640 (744).....	1657 (752)
Operating Weight <b>lbs (kg)</b> .....	1853 (841).....	1870 (848)

#### Capacities

Fuel Tank Volume <b>gal (L)</b> .....	30 (114).....	30 (114)
Usable Fuel Volume <b>gal (L)</b> .....	30 (114).....	30 (114)
Coolant (incl. engine) <b>qt (L)</b> .....	4.5 (4.3).....	4.8 (4.5)
Oil (incl. filter) <b>qt (L)</b> .....	3.8 (3.6).....	5.4 (5.1)
Maximum Run Time <b>hrs</b> .....	58 .....	60

# SPECIFICATIONS

Read this manual carefully before attempting to use this light tower. The potential for property damage, personal injury or death exists if this equipment is misused or installed incorrectly. Read all of the manuals included with this unit. Each manual details specific information regarding items such as set up, use and service requirements. **SPECIFICATIONS ARE SUBJECT TO CHANGE WITHOUT NOTICE.**

## MAGNUM MODEL

## MLT 3060

### Lighting

Lighting Type.....	Metal Halide
Ballast Type .....	Coil & Core
Lumens .....	440,000
Coverage <b>acres (m<sup>2</sup>)</b> .....	5 - 7 (20,234 - 28,328)

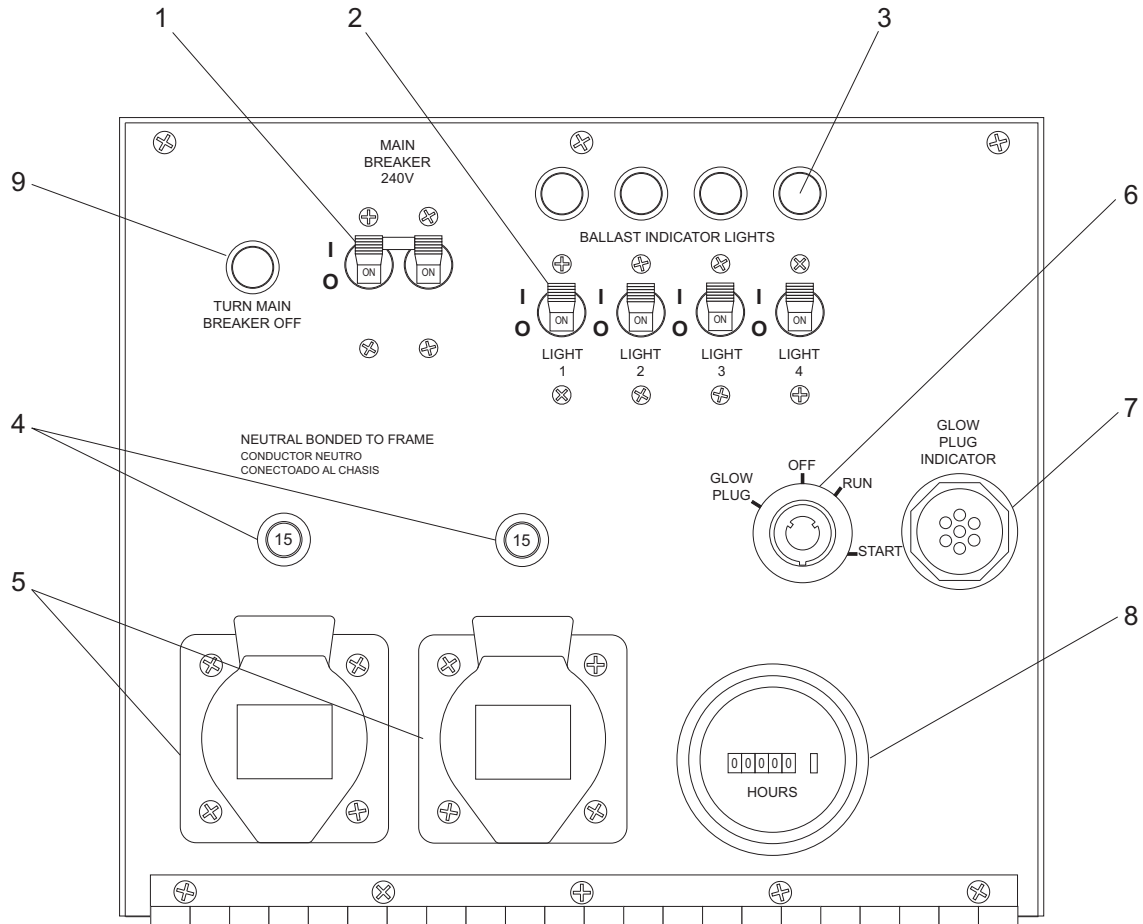
### Dimensions

Maximum height of tower <b>ft (m)</b> .....	30 (9.14)
Length w/ mast stowed <b>in (m)</b> .....	170 (4.32)
Width <b>in (m)</b> .....	49 (1.25)
Width w/ outriggers extended <b>in (m)</b> .....	98 (2.49)
Height w/ mast stowed <b>in (m)</b> .....	68 (1.73)

### Trailer

Number of Axles .....	1
Capacity - Axle Rating <b>lbs (kg)</b> .....	2200 (998)
Tire Size <b>in</b> .....	13
Hitch - Standard .....	2" Ball
Maximum Tire Pressure <b>psi</b> .....	50

# MAIN CONTROL PANEL COMPONENTS

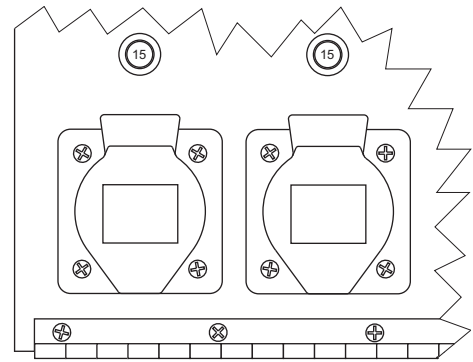


1. **MAIN CIRCUIT BREAKER (30A):** This breaker will disconnect power to the lights and auxiliary outlets. It will also disable the starting circuit if engine starting is attempted when the main breaker is on.
2. **INDIVIDUAL CIRCUIT BREAKERS:** One breaker is supplied for each light.
3. **BALLAST INDICATOR LIGHTS:** Indicates power from the ballast to each light.
4. **OUTLET CIRCUIT BREAKER:** One circuit breaker is supplied for each outlet.
5. **AUXILIARY OUTLETS:** These outlets supply power for accessories connected to the generator when the engine is running and the main circuit breaker is switched to the on "I" position.
6. **ENGINE STARTING SWITCH:** Keyed switch operates glow plugs, starts and stops engine.
7. **ENGINE GLOW PLUG INDICATOR:** Indicates operation of the engine glow plugs on certain engines.
8. **ENGINE HOUR METER:** Keeps track of engine hours for service.
9. **CIRCUIT BREAKER INDICATOR LIGHT:** This light indicates that the main circuit breaker must be opened (switched off) before starting the engine.

## AUXILIARY OUTLETS

The control panel is equipped with two outlets for running accessories or tools from the generator. Power is supplied to the outlets any time the engine is running and the main circuit breaker is switched ON "I". **Note:** *Do not pull more than 1000W from each outlet when the lights are on.* This will overload the generator and cause the main circuit breaker to trip. Should the breaker trip, switch off the lights, remove some of the load to the outlets and wait 10 minutes for the bulbs to cool before turning them back on.

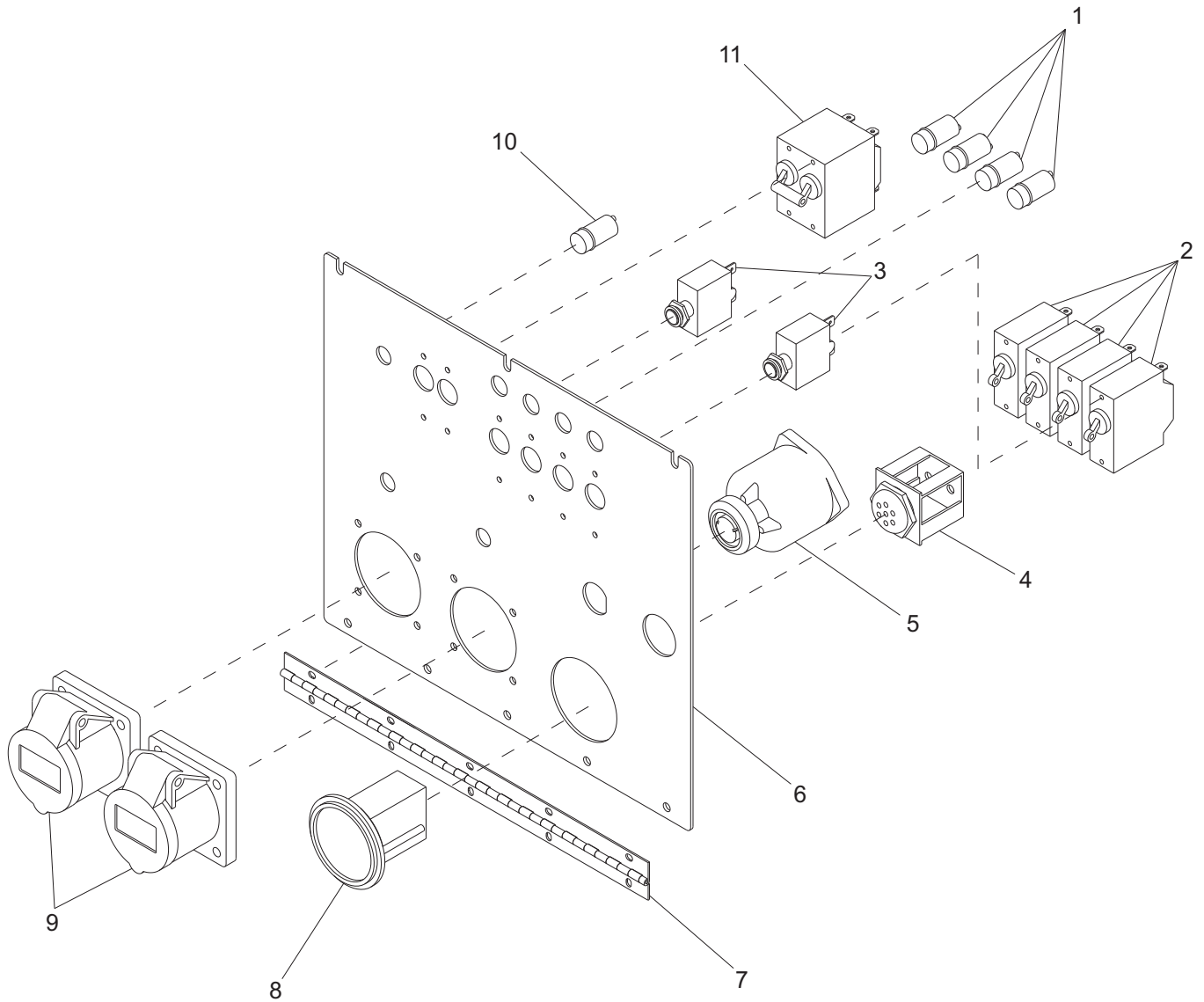
With all of the lights off, the full generator output may be used with the optional outlets.



## ENGINE ASSEMBLY

The 50Hz governor spring is not shown in the original Magnum Operating/Parts manual. The correct part number for the 50Hz governor spring is **11205**. For other engine replacement parts see the Magnum Operating/Parts manual.

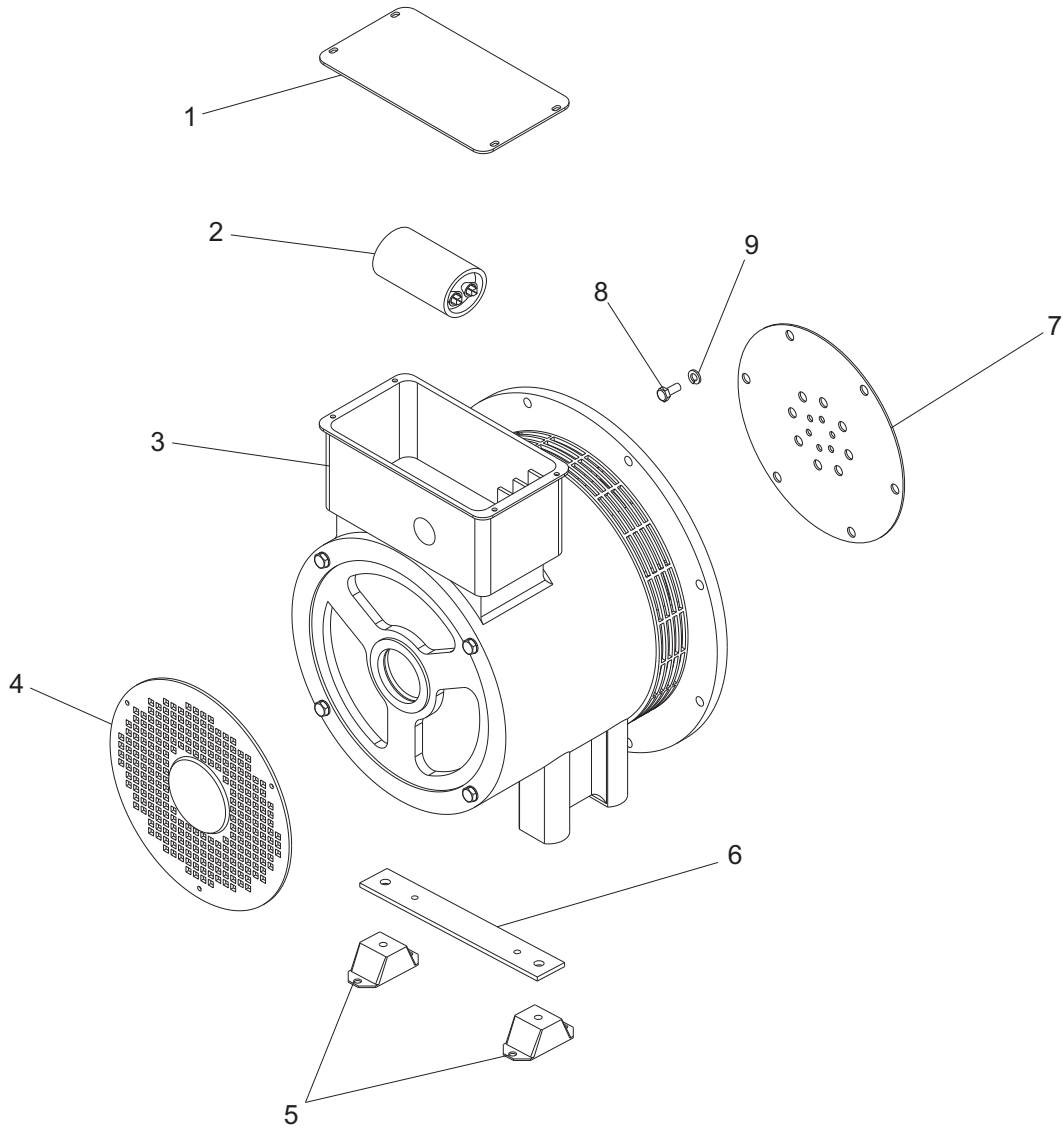
# CONTROL PANEL ASSEMBLY



ITEM NO.	PART NO.	QTY	DESCRIPTION
1	65325	4	Light, indicator green
2	14249	4	Breaker, 15A 250V 1pole
3	15568	2	Breaker, 15A, 120V, 1 pole, push button
4	16694	1	Mitsubishi, glow plug indicator
5	15195	1	Switch, key
6	10309	1	Panel, control (w/ receptacle 250V/10A)
	11110	1	Panel, control (w/ receptacle 120V/16A)
7	10081	1	Hinge, continuous - 11.00
8	15085	1	Gauge, hourmeter
9	15302	2	Receptacle, 50 Hz 220V/10A
	16654	2	Receptacle, 50 Hz 110V/16A
10	65388	1	Light, indicator red
11	65851	1	Breaker, 30A, 250V, 2 pole



# GENERATOR ASSEMBLY - 6 KW

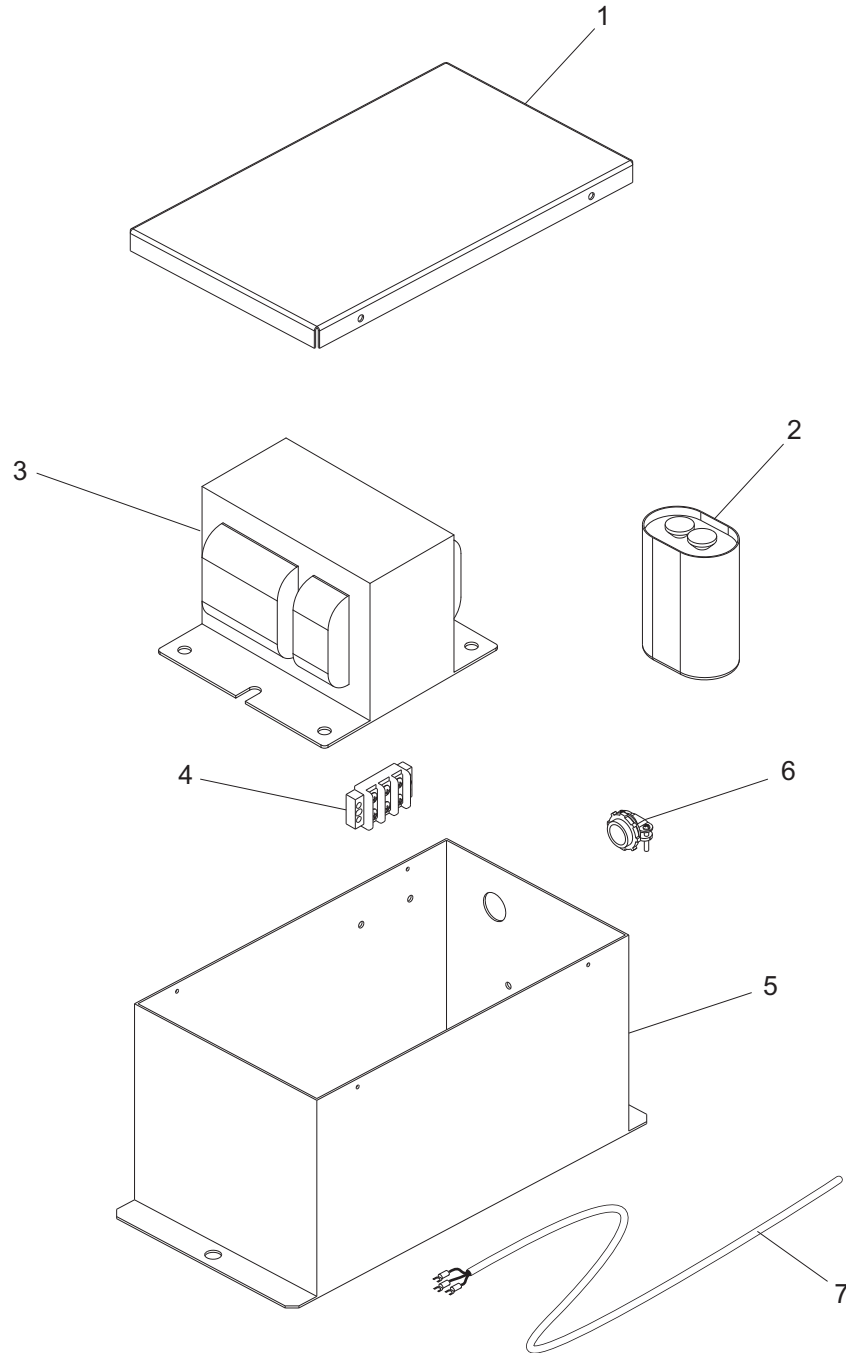


ITEM NO.	PART NO.	QTY	DESCRIPTION
1	12736	1	Marathon gen box cover, 6kW-20kW
2	15798	1	Capacitor, 50 $\mu$ F, 440vac, 50/60 Hz
3	15799	1	Generator, 6.5kW 50 Hz Marathon
4	12327	1	Marathon 6kW pancake case cover
5	15241	2	Compression mount, engine/generator
6	15045	1	Mounting bar, generator
7	16123	1	Plate, drive - SAE 6.5
8	60410	6	Screw, M8X1.25X16 hx hd
9	60029	6	Washer, split lock M8

# METAL HALIDE BALLAST BOX ASSEMBLY

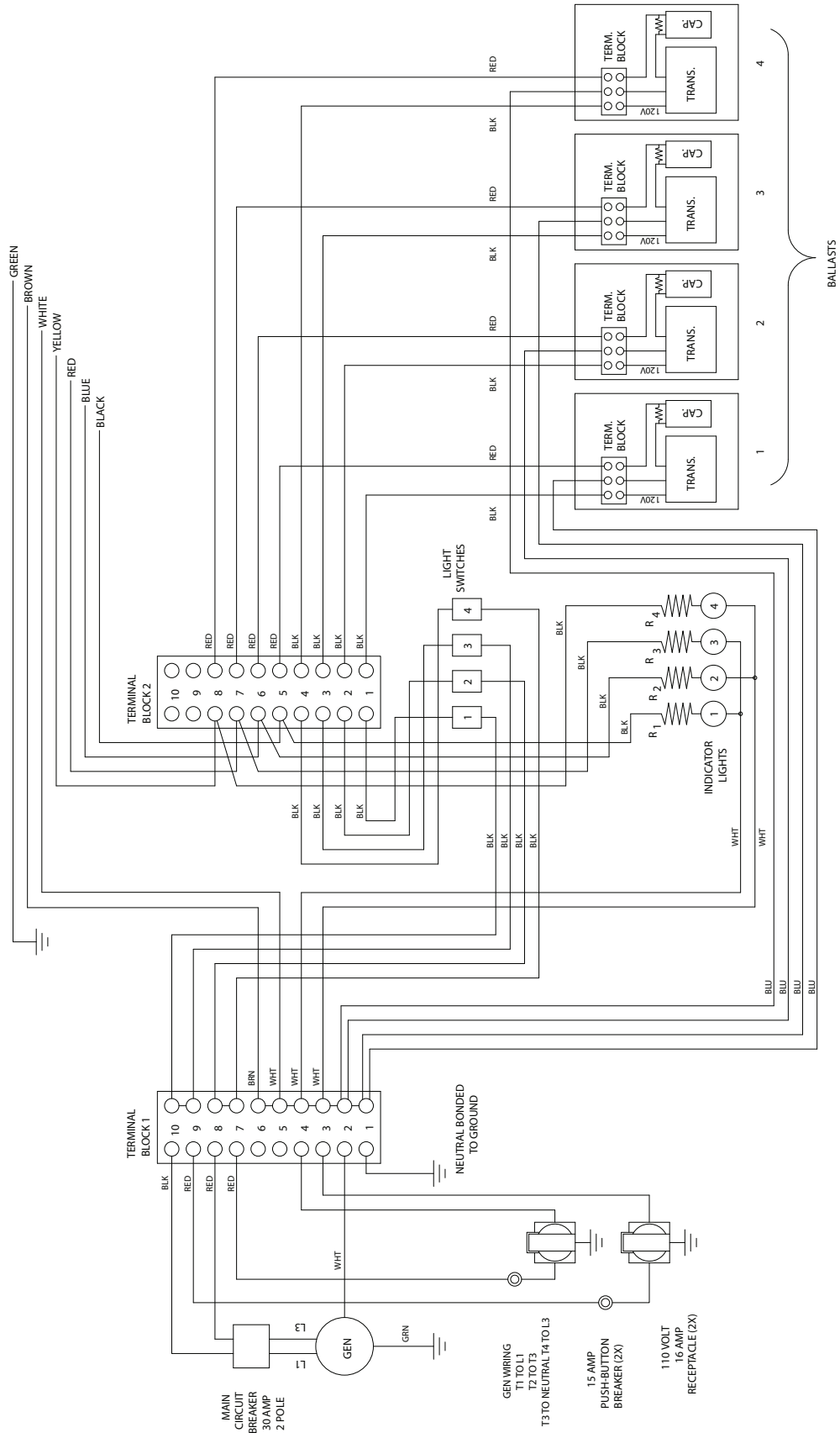
## ⚠ WARNING

DO NOT mix metal halide and high pressure sodium ballast parts



ITEM NO.	PART NO.	QTY	DESCRIPTION
1	11079	1	Cover, ballast box
2	15357	1	Capacitor, metal halide
3	15358	1	Transformer, metal halide
4	14158	1	Block, terminal
5	11078	1	Box, ballast
6	14202	1	Strain relief, .375 Romex w/nut
7	16214	1	Assembly, ballast cable
-	10322	1	Assembly, transformer & cap set
-	10314	1	Assembly, ballast box complete

# AC CIRCUIT WIRING DIAGRAM - RECEPTACLE 110V/16A



# AC CIRCUIT WIRING DIAGRAM - RECEPTACLE 220V/10A

